

# Centurion EntryGate



## Key Benefits

- **Reliable & Effective Access Control**
- **Deters Climb Under Attempts**
- **Choice of 3 Barrier Options**
- **Quiet, Smooth Motorised Operation**
- **Indoor and Outdoor Variants**
- **Wide Range of Enclosure Finishes**
- **Integrates with most Ticketing and Access Control Systems**
- **MTBF of 3,000,000 operations**
- **Applications**  
Corporate Offices, Government Buildings, Sports Stadia, Leisure Clubs and Manufacturing Facilities

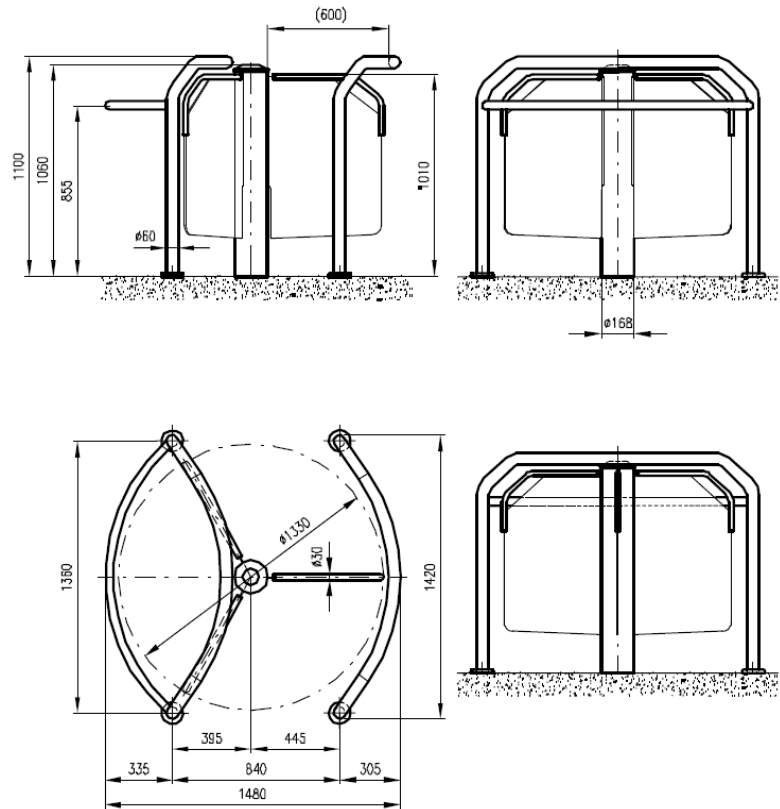
## The Centurion EntryGate

The Centurion EntryGate is an elegant and subtle entrance gate that is ideal when security and design are of equal importance. The EntryGate provides a highly effective means of controlling access in and out of any facility. The Centurion EntryGate combines a highly reliable mechanism with a choice of barrier designs making it ideal for applications such as reception areas in office buildings and leisure clubs as well as museum, transport and stadia applications. The low barrier height deters any climb under attempts

### Flexible

The Centurion EntryGate is designed to be installed both indoors and outdoors under protective cover. The enclosure is available in a choice of stainless steel or brass.

The Centurion EntryGate can be installed alongside passgates such as the Centurion SwingGate to provide access for wheelchairs or deliveries.



## Specification

### Dimensions

1420mm(L) x 1480mm(W) x 1100mm(H)

### Electrical

- Power Supply : AC 110V / 220V
- Frequency : 60 / 60 Hz
- Power Consumption: Standby 50W  
: Operational 300W
- Control Logic : Microprocessor Control
- Operating Temp : 0°C to 50°C
- Humidity : 80%
- Motor : 12V DC

### Operation

- Control : Card In / Card Out  
Card In / No Exit  
Card In / Free Exit  
Locked

### Materials

- Barrier : 8mm Toughened Safety Glass  
: Stainless steel push bar option  
: Polished Stainless steel frame  
: Polished Stainless steel U Frame

## Reliable

At the heart of the Centurion EntryGate is a highly reliable motor with an MTBF of 3,000,000 cycles. The drive motor is a sealed unit making it a virtually maintenance free design.

## Operation

The smooth, silent motorised drive mechanism ensures that the EntryGate is easy to operate. The EntryGate automatically sets rotation speed according to the force with which the turnstile has been pushed. The motor drive has a torque setting option and it can stop the rotation if an obstacle is detected. These features combined with the adjustable deceleration of the gate provide for a high level of safety.

## About CENTAMAN

CENTAMAN Systems Pty is the exclusive distributor for some of the world's most prestigious entrance control brands that are used to protect leading corporations, governments, leisure and education facilities as well as retailers around the globe. The products highlighted here are some of the key products that make up the CENTAMAN portfolio of entrance control solutions.

CENTAMAN Systems Pty Limited (ACN 050 855 582) is 100% Australian owned and has been trading since 1991 supplying, developing and supporting both entrance control systems and ticketing and venue management software in Australia and Worldwide to the Leisure, Tourism, Education, Corporate office and Government markets.

Centaman employs over 40 staff and operates 5 offices throughout Australia and New Zealand. Each office maintains its own technicians who are trained to support, install and maintain our complete range of products. Additionally sales teams are on hand to provide detailed product information and pricing. This enables CENTAMAN to successfully manage, implement and maintain your project, no matter how large or small, at a local level.

For more information contact CENTAMAN Systems.  
 Head Office Sydney 127 Alexander St, Crows Nest NSW 2065, Australia Tel +61 2 9906 7522  
 Email [turnstiles@centaman.com.au](mailto:turnstiles@centaman.com.au) Web [www.centaman.com.au](http://www.centaman.com.au)  
 Melbourne +61 3 9530 6830 Perth +61 8 9345 3599 Brisbane +61 7 3852 2535 New Zealand + 64 9 579 4600

*Specifications subject to change without prior notice*